

FW2170

H.264/MJPEG 4CH Media Decoder

Key Features

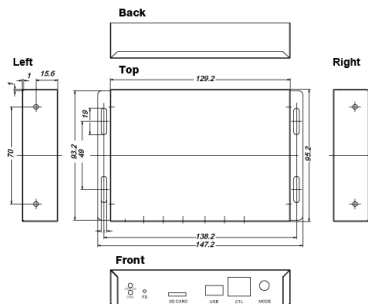
- 1 ch BNC(Composite), Component, HDMI out
- G.711 Two-way Audio
- PTZ Support(RS-485)
- Max. 30fps@1.3M
- H.264/MJPEG IP input
- 19" Rack Mountable



Video Support	H.264/MJPEG 1 Composite, 1 Component, 1 HDMI output
Video Out	4ch Circulation (Hold mode)
Resolution	According to camera resolution up to 1.3M(1024p)
Live Casting	Streaming video channels with full duplex live audio Up to max 30fps@ 1.3M
Audio Encoding	8bit G.711, 8Khz, 8KByte/sec
Audio channels	1ch audio-in & 1ch audio-out
PTZ support	PTZ and UART device control through serial port(RS232 / RS485) (Support protocols; Pelco "P" & "D", Vicon V1311RB, Samsung PTZ, Honeywell PTZ and X10 and Epson Printer)
Security	Channel based user password protection for live-cast, PTZ, alarm output and audio
Web interface	Live-cast, PTZ control, search through Web browser Minimum PC requirement - Windows XP Pro (IE 6.x or later) , Pentium4 (2Ghz, 2G RAM), Video Card(256MB RAM, 1024x768)
Management Software	Supports 16, 32, 64, 128ch Management Software Full-featured PC NVR with matrix functionality
System Integration	[Protocol] HTTP, TCP/IP, FTP, Telnet, RARP, DHCP, NTP, SMTP client, uPNP, and etc. [SDK] Open HTTP API / ActiveX for live cast with audio & PTZ [Service] Image upload / notification service / service for POS integration

Installation & maintenance	Configuration: installation wizard, HTTP, telnet and console. Upgrade firmware: HTTP, telnet & FTP
Misc.	Transmit serial input data with video Quick Time & VLC media player compatible
Multivendor IP camera	N/A
System hardware	32bit RISC CPU / Embedded Linux / 128MByte SDRAM / 128MByte Flash
Power	Power Supply - SMPS 12V (1A) [AC100~240V, 50/60Hz, 300mA] Max. Power Consumption - DC12V, 3W
Approvals	KC, FCC, CE, RoHS
Dimension / Weight	85(W) x 110(D) x 39(H) (in mm) 220g without Power Supply
External Interface	1ch HDMI output 1ch composite output 1ch component output 10/100-Base-T Ethernet (auto-sensing) 1 audio input / 1 audio output 1 serial port (COM: RS-232) Factory Default Button
Working Environment	Temperature: -10~50 °C, Humidity: 10~90% RH
Options	19" Rack Mountable

Dimensions



Accessory

