

3M Motorized All-in-one Housing

Motorized
Auto Focus



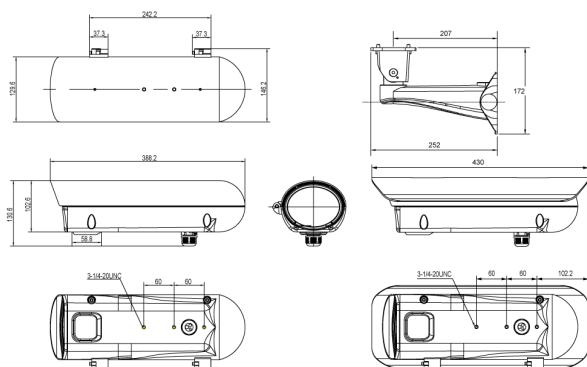
ONVIF



Key Features

- 1/2.8" 3.21M PS CMOS sensor
- Motorized Auto Focus
- Max. 30fps @ 3M (2048x1536)
- Triple stream (H.264, H.264, M-JPEG)
- WDR (>100dB), Dynamic adjusting
- Optional VA (Face Detection, Tampering, Tripwire, etc)
- Onboard storage by Micro SD/SDHC
- ONVIF (Profile S) standard

Dimensions



Accessory



FW9302-TXM

Camera

Image Sensor	1/2.8" 3.21M Progressive Scan CMOS
Lens	5 ~ 50.0mm (F1.2) motorized, auto IRIS
Min. Illumination	Color: 0.05 lux, B&W: 0 lux
IR	4 POWER IR LED
PoE	IEEE 802.3at

Video

Streaming	Triple Streaming
Compression	H.264, M-JPEG
Resolution	2048x1536, 1920x1080, 1280x720, 704x480, 640x352, 320x176, 160x96
Max. Frame Rate	30fps, 25fps
Bit Rate Control	VBR, CBR (H.264 only, 32K~12Mbps)
Frequency Control	60hz, 50hz
Buffer	Max. 5.6Mbyte pre/post alarm buffer
Privacy Masking	8 privacy zone
Motion Detection	On (144 block selection), Off
Video Analytics	Optional (Face Detection, Tampering, Tripwire etc)
Smart Video	ROI
Stabilizer	-
Enhancement	WDR (Enhanced, +50~+250, Off)
Day & Night	TDN (Auto, B&W, Off)
White Balance	Auto, Manual
Noise Filter	2DNR (On, Off), 3DNR (On, Off)
Image Adjustment	Hue, Saturation, Brightness, Contrast
Sharpness	Level 0~255
Auto Gain Control	Level 1~500
Shutter Speed	Auto, Manual (1/30~1/24000)
Sense-up	Level 0~5
Flip	Vertical (On, Off), Horizontal (On, Off)
PTZ	-

Interface

Video Out	1 analog out
Audio In/Out	2 way (1 in, 1 out)
Audio Compression	G.711, AAC
Alarm In/Out	1 DI, 1 DO
Serial Port	RS-232C, RS-485
Peripherals	1 USB 2.0
Memory Slot	2 Micro SD/SDHC

Network

LAN	10/100-base-T (auto sensing)
Protocol	HTTP, RTP/RTSP(Uni/Multicast), TCP/IP(v4/v6), UDP, FTP, Telnet, HTTPS, RARP, PPPoE, SNMP, PAP, CHAP, DHCP, NTP, SMTP client, uPnP & etc
Standard	ONVIF (Profile S)
Viewer	Browsers (IE, Chrome, Firefox, Safari etc), CMS, Quick Time, VLC
Dynamic IP	DDNS (www.ipcctvdns.com)
Smart Solution	IPCAMVISION (IOS, Android)
Security	IP filtering, HTTPS, Encrypted & Basic Authentication

Hardware

System	32bit Embedded Linux, 256Mbyte SDRAM, 128Mbyte NAND Flash
Approvals	KC/FCC/CE, RoHS, IP66
Working Condition	-20°C ~ +60°C, 10% ~ 90% RH
Power Supply	SMPS, DC 12V/3A & AC 24V
Power Consumption	Max. 14.4W
Dimension	164(W) x 430(D) x 137(H) mm
Weight	About 3000g without Power Supply