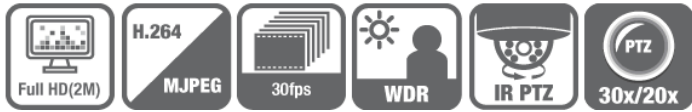


2M IR Speed-dome

FW7707-FNR



Key Features

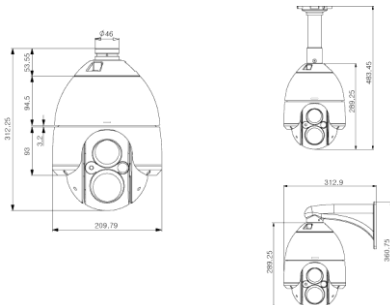
- 1/2.8" 2.37M PS CMOS Sensor
- Optical 20x(Digital 12x) 4.7-94mm(F1.6-3.5)
- Min. Illumination: 0 Lux(IR)
- Max. 30fps@2M(1920x1080)
- Dual Stream(H.264, MJPEG)
- 1 Motorized Zoom IR LED / 1 Mini IR LED
- Onboard storage by Micro SD
- Optical 30x(Optional)

Supports both ONVIF(ProfileS) and PSIA(v1.0) standards.

Video Encoding	H.264/MJPEG (simultaneous dual stream) H.264/H.264 (true H.264 dual streaming) Simultaneous streaming with independent control
Video signal	1 CVBS Output
Resolution	1920x1080, 1280x720, 640x352, 320x176, 160x96
Live Casting	Streaming video channels with full duplex live audio Up to max 30fps @ 2M when simplex
Audio Encoding	8bit G.711, 8KHz, 8KByte/sec
Audio channels	1ch audio-in & 1ch audio-out
PTZ support	Variable speed from 0.1°/sec to 420°/sec Rotation Angle: Pan 360° (endless), Tilt:180° (Auto flip) Optical zoom X20, Digital zoom x32 209 Preset Positions, 2 Swing, 8 Group, 8 privacy zone.
Serial Interface	COM Port: RS-232, for console, serial input/output device AUX Port for PTZ or other RS485 device Max. Baud rate: 115200 bit/s
Bandwidth Management	Frame rate control / Bandwidth control / CBR / VBR [Trigger Condition] Video loss / Video recovered / Motion detection (144 area) / Boot finished / Schedule
Alarm Management	[Alarm Service] Image holding service (Max 5.6MByte pre-post alarm buffer), Image upload service through E-mail / FTP (support pre & post), Notification service through TCP / UDP / HTTP
Security	Channel based user password protection for live-cast, PTZ, alarm output and audio
Dynamic IP	Dynamic IP service using www.ipcctvdns.com
Smart Solution	Smart Phone Application (IOS, Android)
Web interface	Live-cast, PTZ control, search through Web browser Minimum PC requirement - Windows XP Pro (IE 6.x or later) , Pentium4 (2Ghz, 2G RAM), Video Card(256MB RAM, 1024x768)
Management Software	Supports 16, 32, 64, 128ch Management Software Full-featured PC NVR with matrix functionality
System Integration	[Protocol] HTTP, RTP/RTSP(Unicast/Multicast), TCP/IP(V4/V6), UDP, FTP, Telnet, HTTPS, RARP, PPPoE, SNMP, PAP, CHAP, DHCP, NTP, SMTP client, uPNP and etc [SDK] Open HTTP API / ActiveX for live cast with audio & PTZ [Service] Image upload / notification / POS integration

Installation & maintenance	Configuration by installation wizard, HTTP, telnet and console. Upgrade firmware through HTTP, telnet & FTP
Misc.	Transmit serial input data with video Quick Time & VLC media player compatible
System hardware	32bit Embedded CPU / Embedded Linux / 128MByte SDRAM / 128MByte NAND Flash
Power	Power Supply – DC12V/4.16A [AC100~240V, 50/60Hz] Max. Power Consumption – DC12V, 48W
Approvals	IP66, KC, FCC, CE, RoHS
Dimension / Weight	136Ø x 210(L) x 312.3(H) (in mm) About 5500g without Power Supply
External Interface	10/100-Base-T Ethernet (auto-sensing) 1 BNC out (1 CVBS) 1 photo-coupled inputs (NC/NO selectable), 1 relay outputs 1 audio input / 1 audio output 1 serial ports (COM: RS-232) 1 Micro SD memory interface
Working Environment	Temperature: -10~50 °C, Humidity: 10~90% RH
Image sensor	1/2.8" progressive scan CMOS Total number of pixels: 1944Hx1224V=2.37M Pixel size : 2.8 (H) µm × 2.8 (V) µm Color filter Bayer arrangement of primary colors: R, G, B Bit number of internal ADC: 10/12 bits Parallel output: 37.125 MHz, 10/12 bits Maximum frame rate in all-pixel scan mode: 60/30 fps
Lens	Optical 20x(Digital 12x), 4.7-94mm, F1.6-3.5 Day & Night (Auto/B&W/Off) Auto White Balance Noise Filter (Off/On) Brightness/Contrast/Sharpness/AGC Gain Control Shutter (Manual/Auto) Vertical/Horizontal Flip Sens Up Level Frequency Control (50/60)
Image Setting	
Minimum illumination	0 Lux (IR)
Options	Optical 30x(Digital 12x), 4.3-129mm, F1.6-4.7

Dimensions



Accessory